

Characteristics

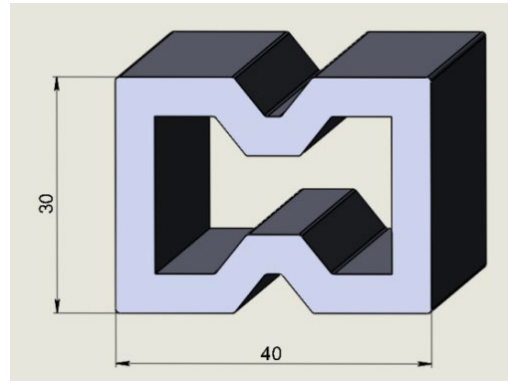
| | |
|--|--|
| Material | Wood polymer composite (WPC) |
| Structure | Cellular |
| Surface | Double sided: wide/narrow ribbed |
| Compound | Finely dispersed wood – 70%/ PENT – 25%/ modifiers and pigments – 5% |
| Size, mm | 150 x 25 x 3000 |
| Weight, kg | 7,65 |
| Area sq.m | 0,45 |
| *** | Possibility of producing non-standard lengths upon individual request |
| Water absorption | No more than 1% |
| Linear expansion | Up to 2% |
| Color stabilization | From 3% to 15% in the first months of use |
| Life time | More than 25 years |
| Advantages of WPC relative to natural wood | Price, low maintenance, environmentally friendly material, non-toxic, does not harm human and animal health, and is easy to install. |
| Guarantee | 3 years commercial use 5 years private use |

Usage: decking for piers, piers, embankments, baths, saunas, areas around swimming pools, entrance lobbies, porches, stairs, balconies, loggias, summer areas, cafes, street scenes, garden paths, sidewalks, bridges, non-standard landscape solutions and much more.

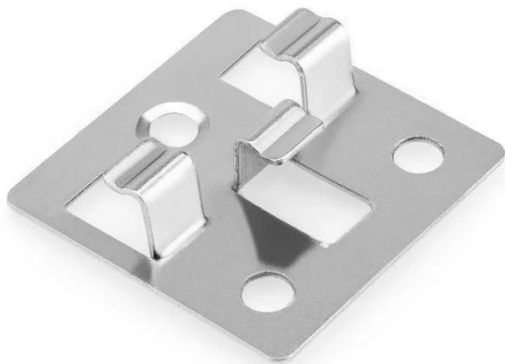
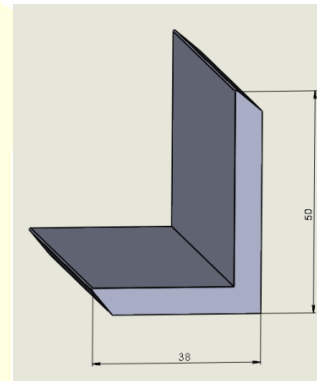
Equipment for the board



Batten, mm 30 x 40 x 2200



End angle, mm 38 x 50 x 3000



Clip

Thanks to its special design, it provides the required distance between boards, taking into account the linear characteristics of the product.

Installation instructions for WPC decking boards

The decking board does not require any additional processing before installation; it is used for its intended purpose immediately after purchase.

Recommended installation methods may not cover all types you may encounter. Since each individual installation is unique in its requirements, responsibility for the final result rests solely with the installer. These instructions are based on standard installation options.

Basic tools:

- Screwdriver
- Chalk
- Roulette
- Jigsaw
- Level
- A circular saw

Preparation

To lay the logs, a concrete base or a metal support structure with an anti-corrosion coating is required (profile pipe 40x40x3 or 60x40x3 mm).

The base should have a slope (1.5-2%) in the direction of length in order to sufficiently drain water from the surface of the terrace. To avoid waterlogging of the soil, drainage must be installed.

The distance between the base and the support beam must be at least 40 mm to ensure sufficient ventilation.

Laying joists directly on the base - soil, gravel, etc. is unacceptable!

Where the support beams connect to each other, a minimum gap of 20 mm must be maintained.

When connecting the supporting structure to strong barriers (wall, fence, etc.), it is necessary to maintain a ventilation gap of at least 20 mm.

The pitch of the support beams is for private households max 300 mm, for commercial use max 250 mm.

Processing

Deck boards and joists can be sawed, routed or drilled with all standard woodworking tools. At temperatures below 5 degrees. We recommend stopping installation.

Where the terrace boards meet at the ends, it is necessary to install two rows of joists so that each board rests on its own joist. The optimal distance from the edge of the joist is up to 10 mm.

Installation of decking boards is carried out in several main stages:

✂ Cutting deck boards to required dimensions;

✂ Connecting clips (at the rate of 22 - 25 pieces per 1 sq.m.) are attached to the installed logs with self-tapping screws to the log at an angle of 90 degrees. The connecting clip provides the required technical gap between the boards, which is 4-6 mm. Do not tighten the screws tightly. Continue only after installing the entire terrace.

✂ Cover the ends of the board with a corner.

✂ We recommend washing the terrace after installation with a mild soap solution.

